

Vermont Castings DV40 Part List

## DV40 (2051/2052) Direct Vent Fireplace

Item/Model Number	Part Number	Item/Model Number	Part Number
1. AIR INLET TUBES	1408890	13. FOREHEARTH RETAINER	1408900
2. HEAT EXCHANGER DOOR GASKET	1203691	14. LEFT SURROUND	1300952
3. 4" HOSE CLAMP (NOT SHOWN)	1203397	15. RIGHT SURROUND	1300953
4. INLET BAFFLE	1408962	16. LEFT LINTEL	1300981
5. FIREBOX TOP	1300943	17. RIGHT LINTEL	1300982
6. FIREBACK	1300979	18. CONTROL DOOR	1300956
7. LEFT FIREBOX SIDE	1300946	19. FOREHEARTH	1300957
8. RIGHT FIREBOX SIDE	1300947	20. CONTROL DOOR PIN	1201840
9. HEAT EXCHANGER DOOR	1300948	21. BURNER	1300958
10. FLUE COLLAR	1300949	22. TOP BURNER	1300959
11. EXHAUST BAFFLE	1300950	23. FIREBOX BOTTOM	1300944
12. ANDIRONS (2)	1300951	BOTTOM ASSEMBLY, NG	5002986

## DV40 (2051/2052) Direct Vent Fireplace cont.

Item/Model Number	Part Number	Item/Model Number	Part Number
<b>Hardware</b>			
1/4-20 X 2 PH FL HD (2-FLUE COLLAR TO FIREBOX TOP, FIREBOX TOP TO FIREBACK)	1200848	ASSEMBLY PIN TO FIREBOX TOP, 2" CPSC AND RATING LABELS TO CONTROL DOOR)	1204867
1/4-20 X 3/4 PH FL HD (2-INLET BAFFLE TO FIREBACK)	1200881	1/32 OVAL SLEEVE (2- RESET SWITCH ASSEMBLY PIN TO FIREBOX TOP, CPSC AND RATING LABELS TO CONTROL DOOR)	1204874
1/4-20 X 1/4 PH RD HD (4-CPSC LABEL TO CONTROL DOOR, 2-CONTROL DOOR TO CONTROL DOOR PIVOT PINS)	1200897	TAB (3-HEAT EXCHANGER DOORS TO FIREBOX TOP, 2-TRIM ROD TO LFT & RT LINTEL)	1601488
1/4-20 X 3/4 PH RD HD (3-EACH ON LFT & RT SIDE TO FRONT COLUMN & REAR COLUMN, 2-ANDIRONS TO FIREBOX BOTTOM)	1200900	10-24 X 3/8 PH PAN HD (2-PILOT ASSEMBLY TO BOTTOM, 3-GAS VALVE TO BRACKET)	1200983
1/4-20 X 1/2 PH TRS HD (20-GLASS/SCREEN ASSEMBLY)	1200925	1/4-20 X 3/8 PH PAN HD (4-VALVE BRACKET TO BOTTOM, 3-PIEZO-SWITCH BRACKET TO BOTTOM, 2-PLUG ANDIRON HOLES, 3-INNER DURAVENT STARTER PIPE TO FIREBOX TOP, 2-INLET TUBE TO BURNER)	1200993
10-24 X 1/4 PH PAN HD (8- MOULDING CLIPS TO GLASS/ FRAME ASSEMBLY)	1200980	1/4-20 X 5/8 HEX HD CS (2-BURNER TOP TO BOTTOM, 2-BURNER TOP TO BURNER BOTTOM)	1201372
1/4-20 X 3/8 HEX HD CS (4-LEFT & RIGHT SURROUNDS TO FRONT COLUMNS, 2-LEFT & RIGHT LINTELS TO FRONT COLUMNS, 4-HEAT EXCHANGER DOORS TO FIREBOX TOP LEFT TO RIGHT LINTEL, 2-CONTROL DOOR PIVOT PIN TO LEFT & RIGHT SURROUNDS, 2-WASHERS AT FORE-HEARTH BOSSES, 2-PAN ROD DAMPER TAB TO LEFT & RIGHT LINTELS, 2-CABINET TOP TO FLUE COLLAR, 2-INLET BAFFLE TO FIREBOX BOTTOM)	1201337	#10 X1 PH PAN HD SMS (3-OUTER DURAVENT STARTER PIPE TO FLUE COLLAR)	1202088
1/4-20 X 1 1/4 HEX HD CS (2-FIREBOX SIDES TO FIREBACK)	1201379	<b>Gaskets</b>	
1/4-20 X 1 1/2 HEX HD CS (2-LEFT & RIGHT FIREBOX SIDES TO FIREBOX BOTTOM, FIREBACK TO FIREBOX BOTTOM, 2-FIREBOX SIDES TO FIREBACK, 2-FIREBOX TOP TO FIREBOX SIDES)	1201386	FLUE PIPE FIBERFRAX GASKET	1203686
1/20 PLN NUT (2-LFT & RT FIREBOX SIDE TO FIREBOX BOTTOM, FIREBACK TO FIREBOX BOTTOM, 4-FIREBACK TO FIREBOX SIDES, 3-FIREBOX TOP TO FIREBOX SIDES & FIREBACK, 4-INLET BAFFLE TO FIREBACK, REAR FAN SHROUD TO FIREBOX BOTTOM, RESET CABLE AT FIREBOX TOP LEFT FRONT BOLT)	1203210	PILOT FIBERFRAX GASKET	1203685
1/4 PLN FLAT WASHER (4-LEFT & RT FIREBOX SIDES TO FIREBOX BOTTOM, 2-FIREBACK TO FIREBOX BOTTOM 8-FIREBACK TO FIREBOX SIDES, 4-FIREBOX TOP TO FIREBOX SIDES, FIREBOX TOP TO FIREBACK, 6-FRONT LEFT & RT COLUMNS TO FIREBOX SIDES, LEFT TO RIGHT LINTEL, 2-FORE-HEARTH BOSSES, CONTROL DOOR PIVOT PIN 2-TO LFT & RT SURROUNDS, RESET SWITCH CABLE BOSS ON FIREBOX TOP, 2-CONTROL DOOR TO CONTROL DOOR PIVOT PINS, 2-ANDIRONS TO FIREBOX BOTTOM)	1202470	3" FLAT WINDOW GASKET (9 GLASS)	7000909
#10 X 1/2 PAN HD SMS (2-FRONT LEFT & RT COLUMNS TO BOTTOM, 7-LFT & RT JUNCTION BOX TO FAN SHROUDS, 4-LFT & RT FAN SHROUDS TO FRONT COLUMNS, 4-REAR FAN SHROUD TO LFT & RT FAN SHROUDS, RESET SWITCH ASSEMBLY TO RIGHT JUNCTION BOX, 4-LFT & RT FRONT COLUMNS TO CABINET TOP, 12-CABINET BACK TO LFT & RT BACK COLUMNS, TOP, BOTTOM, 6-COOLING DUCT TO LFT & RT FRONT COLUMNS, 10-LFT & RT INSULATION COVERS TO FRONT LFT & RT COLUMNS, 4-LFT & RT INSULATION COVERS TO COOLING DUCT, 2-FAN WIRING COVER TO CABINET LEFT SIDE, 30-LFT & RT SIDE TO BOTTOM, TOP, BACK COLUMNS, FRONT, COLUMNS, JUNCTION BOXES, 12-FRONT PANEL TO FRONT COLUMN, COOLING DUCT OUTER COLUMN, 16-LFT & RT OUTER COLUMN TO FRONT COLUMNS, BOTTOM, 2-RESET SWITCH ASSEMBLY TO CONTROL BRACKET, 2-VENT HEATSHIELD TO FRONT PANEL, 8-HEADER STANDOFFS TO FRONT PANEL, 10 LFT & RT SIDES TO OUTER COLUMNS)	1202059	5/16 FIBERGLASS GASKET (9 FRONT FRAME)	1203668
1/32 SS CONTROL CABLE (5.25" RESET SWITCH		INLET TUBE GASKET (1 USED)	1203693
		<b>Accessories</b>	
		<b>Fan Kit # 2059</b>	
		FAN ASSEMBLY	5003002
		FAN DUCT	1408970
		FINGER GUARD	1408971
		FAN BRACKET	1408972
		10-24 HEX NUT (4)	1203251
		#10 X 1/2 PH PAN HD SMS (4)	1202059
		PUSH ON KNOB	1604419

The Vermont Castings, Majestic Products Company reserves the right to make changes in design, materials, specifications, prices and discontinue colors and products at any time, without notice.

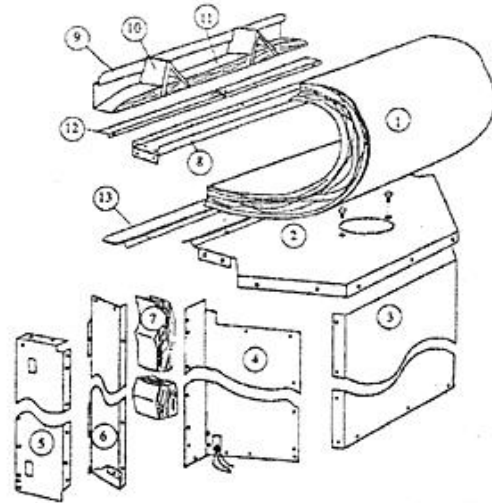
## DV40 (2051/2052) Direct Vent Fireplace cont.

Item/Model Number	Part Number	Item/Model Number	Part Number
BOTTOM ASSEMBLY, LP	5002987	CERAMIC GLASS	1601710
FIBERFAX PILOT GASKET	1203685	GLASS/SCREEN/FRAME ASSEMBLY	5002978
PIEZO IGNITOR	1601304	GLASS TRIM MOLDING SET	5002988
3/8" NPT X 5/16" COMPRESSION ELBOW	1601307	GAS LOG ASSEMBLY	5003003
PILOT ASSEMBLY, NG (NOT SHOWN)	1601587	RESET SWITCH ASSEMBLY	5002994
PILOT ASSEMBLY, LP (NOT SHOWN)	1601587 & 1601324	CONTROL DOOR PIN	1201840
ON/OFF SWITCH (NOT SHOWN)	1601597	TRIM ROD	1601760
GAS VALVE BRACKET	1408911	FUEL CONVERSION KIT, LP	0002066
PIEZO/SWITCH BRACKET	1408912	FUEL CONVERSION KIT, NG	0002065
GAS VALVE, NG (NOT SHOWN)	1601700	FINISH BAG	0005911
GAS VALVE, LP (NOT SHOWN)	1601701	OWNER'S MANUAL	2002922
INLET TUBE	1601704	FERRULE #47-64	1201908
BRAY INJECTOR, NG (NOT SHOWN)	1601706	8MM FEMALE COMPR. NUT	1201918
BRAY INJECTOR, LP (NOT SHOWN)	1601707	VALVE HEATSHIELD	1408982
J-TUBE CLAMP	1300960	CONTROL HEATSHIELD	1408983
PILOT SUPPLY TUBING, 1/4" DIAMETER	1601708	PILOT TUBE WITH FITTINGS	0005920
MAIN SUPPLY TUBING, 1/2" DIAMETER	1601709	3/8" NPT X 6" BLK IRON PIPE	1208626
FIBERGLASS GASKET, 5/16" ARMASEAL	1203668	3/8" NPT X 90° BLACK IRON ELBOW	1208625
FIBERGLASS HE DOOR GASKET	1203691	WIRE TIE	1201503
3/4" WINDOW GASKET	7000909	WIRE TIE, IGNITION INSULATOR	1201504

[www.woodmanspartsplus.com](http://www.woodmanspartsplus.com)

## DV40 (2051/2052) Cabinet

Item/Model Number	Part Number
1. TOP INSULATION	1203501
2. <del>GABINET TOP</del>	N/A
NEW CABINET TOP (2 PIECES) (NOT SHOWN)	1409093
NEW DEFLECTOR (2ND PIECE OF NEW TOP) (NOT SHOWN)	1409079
3. <del>GABINET BACK</del>	N/A
4. <del>LEFT CABINET SIDE (NOT SHOWN)</del>	N/A
<del>RIGHT CABINET SIDE</del>	N/A
5. LEFT OUTER COLUMN	1408995
RIGHT OUTER COLUMN	1408996
6. <del>LEFT INSULATION COVER (NOT SHOWN)</del>	N/A
<del>RIGHT INSULATION COVER</del>	N/A
7. <del>SIDE INSULATION (FOIL FACE TOWARD FIREBOX)</del>	N/A
8. <del>COOLING DUCT</del>	N/A
NEW COOLING DUCT (2 PIECES) (NOT SHOWN)	1409092
9. <del>FRONT PANEL</del>	N/A
10. <del>HEADER STANDOFF</del>	N/A
11. HEADER INSULATION	1203499
12. UPPER DEFLECTOR	1409078
13. LOWER DEFLECTOR	1409079
DEFLECTOR HARDWARE (3 USED)	1202059
UPPER DEFLECTOR HARDWARE (3 USED)	1202059
<del>CABINET BOTTOM</del>	N/A
<del>LEFT FRONT CABINET COLUMN</del>	N/A
<del>RIGHT FRONT CABINET COLUMN</del>	N/A
<del>BACK LEFT FRONT CABINET COLUMN</del>	N/A
<del>BACK RIGHT FRONT CABINET COLUMN</del>	N/A
3/8" STRAIN RELIEF WIRE CLAMP	1204751
FAN RECEPTACLE	1204966
<del>BACK FAN SHROUD</del>	N/A
<del>LEFT FAN SHROUD</del>	N/A



## DV40 (2051/2052) Cabinet cont.

Item/Model Number	Part Number
<del>RIGHT FAN SHROUD</del>	N/A
WIRE TIE (RESET CABLE ASSY TO RIGHT FAN SHROUD)	1201503
LEFT JUNCTION BOX	1408960
RIGHT JUNCTION BOX	1408961
<del>FAN WIRING COVER</del>	N/A
CLIP MOULDING	1408905
<del>VENT HEATSHIELD</del>	N/A